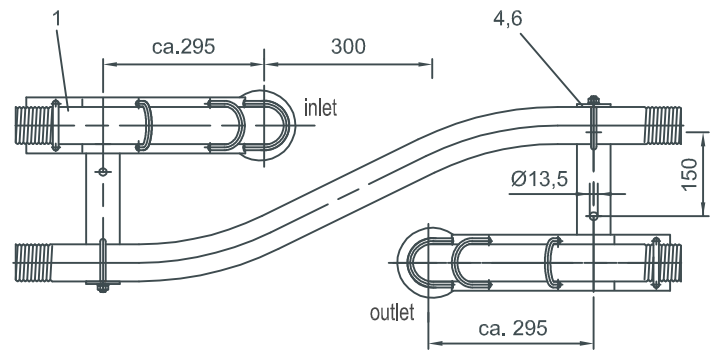
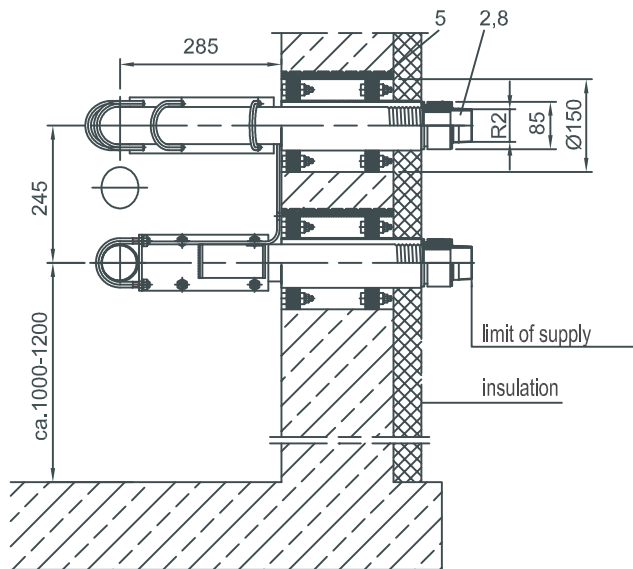


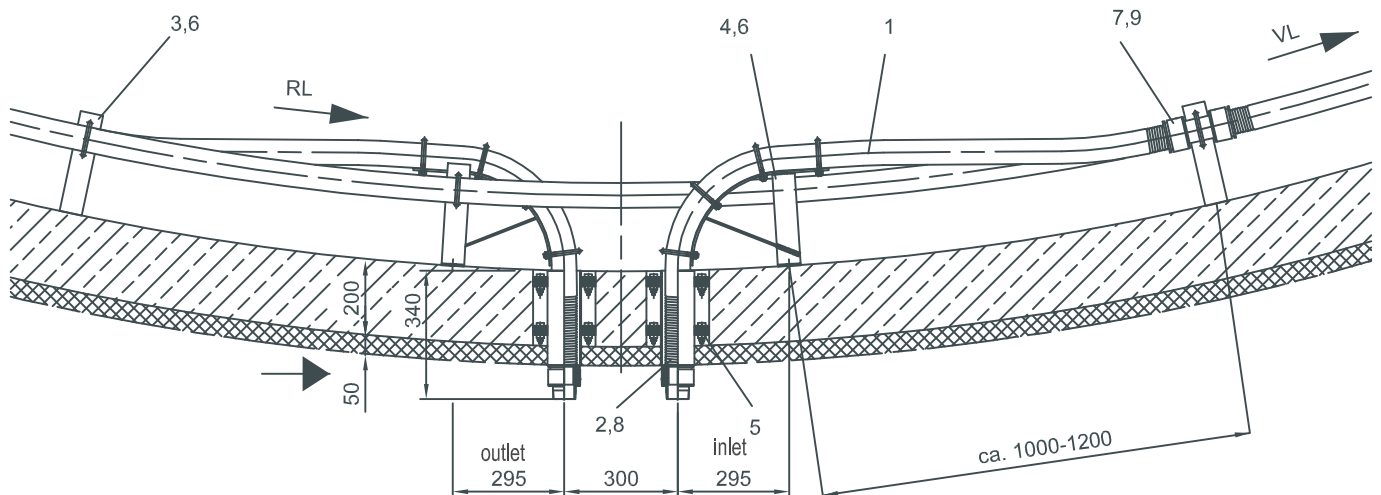
BIOGAS-Technology

type CNW

End connector GRAPA-S incl. wall duct dia. 89 mm



- Please note: the support type F (outlet) has to be installed 70 mm higher.
- Gasket insert needs to be seated on the wall duct in full length.
- For installation of the end connector see installation instruction.



No.	type	Material grade	Article No.
1	Pipe NFX CNW 60/66 - DN 50	1.4404	72010491
2	End connector GRAPA-S 2" - DN 50 incl. wall duct dia. 89mm	1.4301	72803704
3	Support RBF 60 type A 200/250	1.4301	72803791
4	Support RBF 60 type F 200/250	1.4301	72803792
5	Gasket insert type A WD 85-94, core drilling dia. 150 mm	1.4301	72803782
6	Fixing set incl. dowel BS 10 (borehole dia 12 mm)	1.4301/Nylon	72803796
7	Through-/repair-connector/elongation GRAPA-S DN 50 (if necessary)	1.4301	72803798
8	Installation tool for GRAPA-S end connector DN 50	Steel,gas-nitrided	72898005
9	Installation tool for GRAPA-S through connector DN 50	Steel,gas-nitrided	72898105